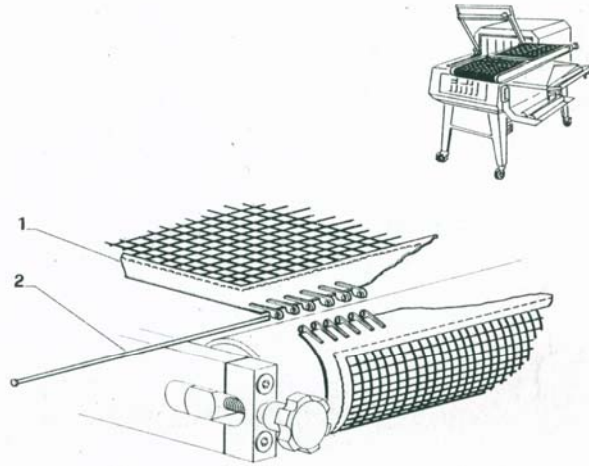


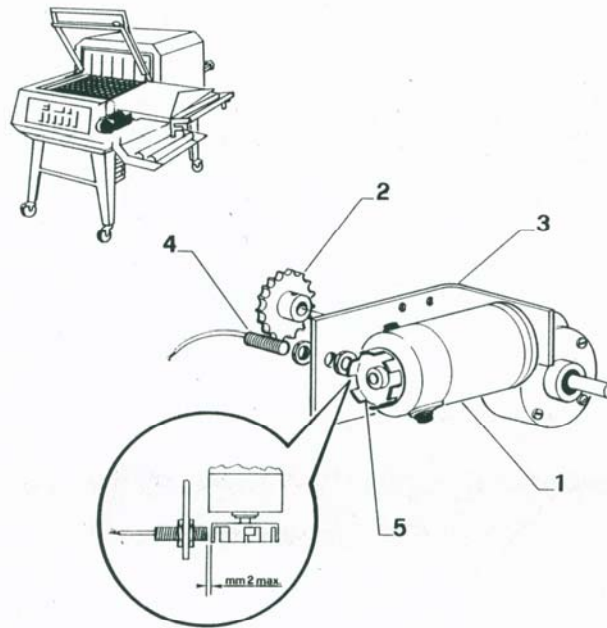
**LADY PACK®**



**MACH. MOD. 45/N**

N°	CODE	DESCRIPTION
1-2	45.151	Conveyorbelt for 45/N

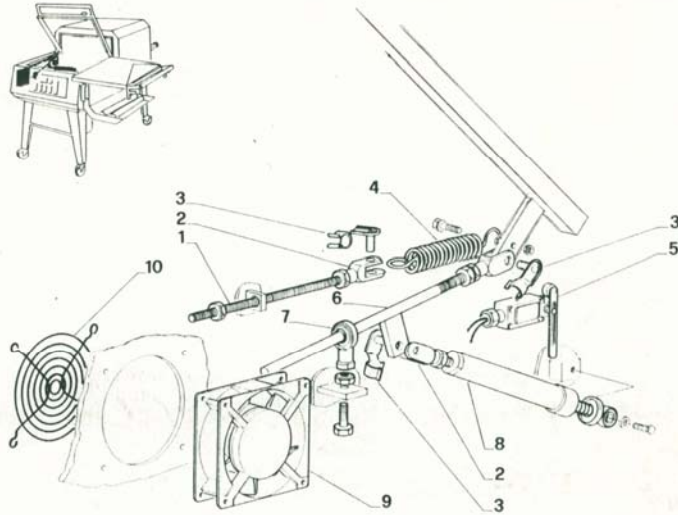
LADY PACK®



MACH. MOD. 45/N

N°	CODE	DESCRIPTION
1	45.101	Conveyor motor
2	45.102	Chain sprocket
3	45.103	Mounting plate
4	45.104	Sensor
5	45.105	Sensor actuator

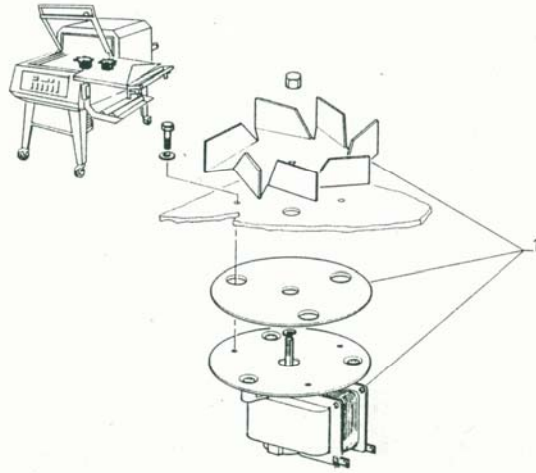
LADY PACK®



MACH. MOD. 45/N

N°	CODE	DESCRIPTION
1	45.051	Adjusting rod
2-3	45.052	Clevis pin
4	45.054	Return spring
5	45.055	Micro switch
9	45.059	Fan (cooling)
10	45.060	Protector screen

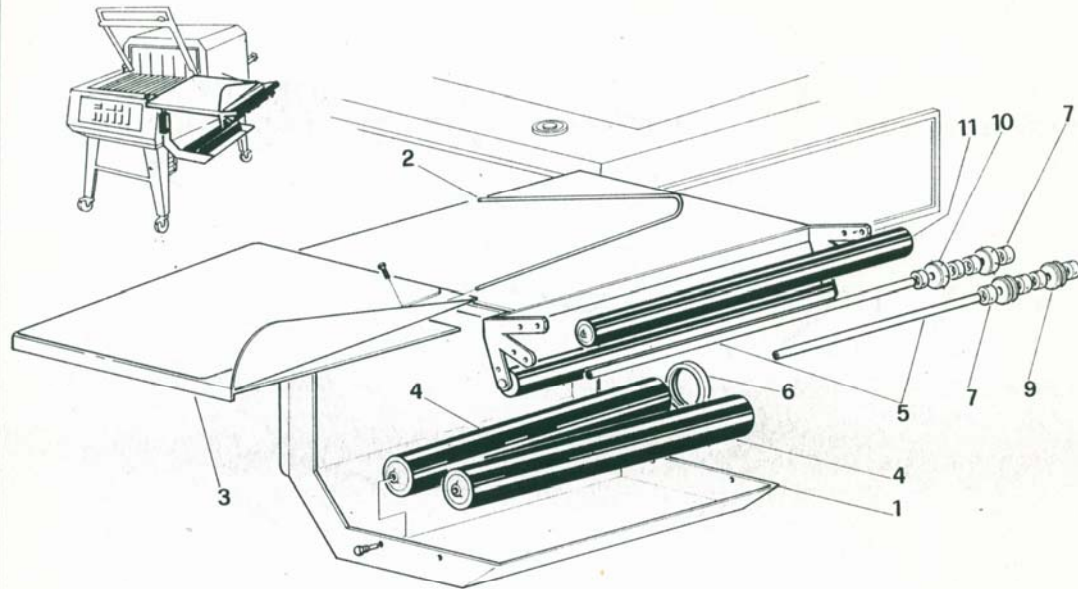
LADY PACK®



MACH. MOD. 45/N

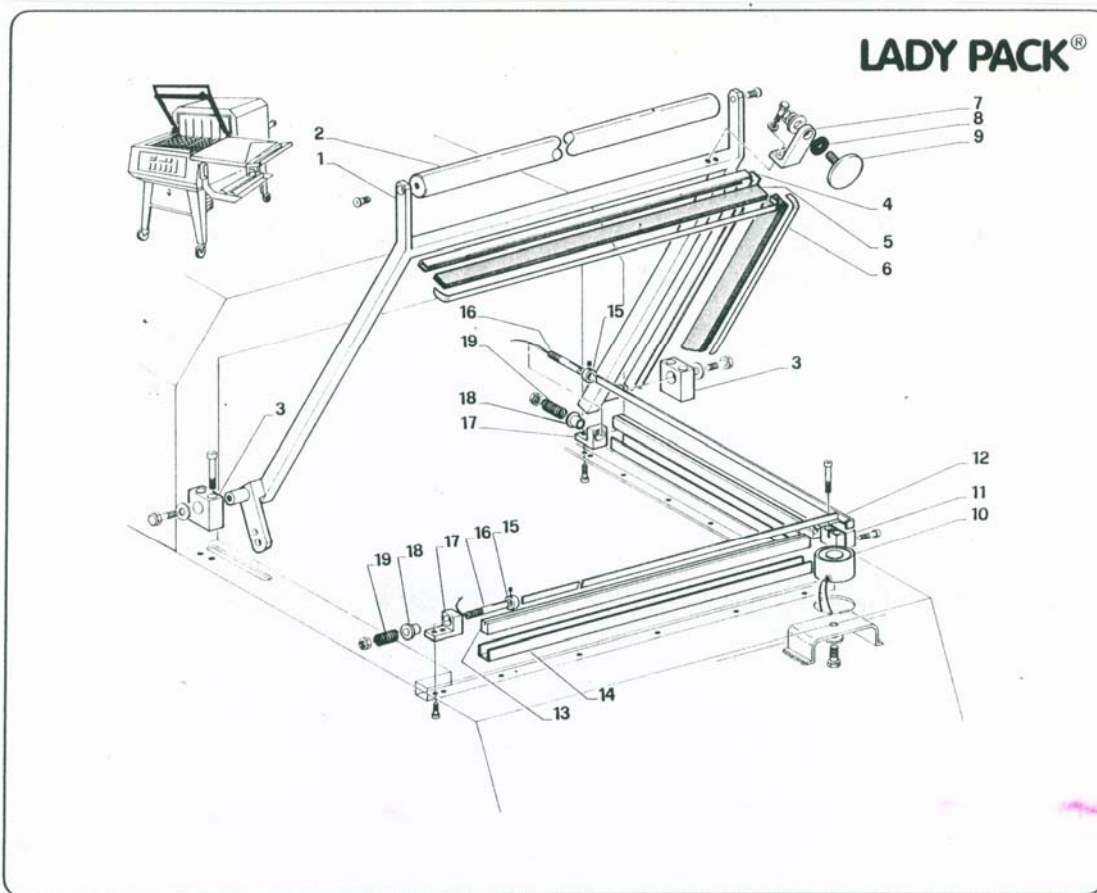
N°	CODE	DESCRIPTION
1	45.251	Complete fan assembly

# LADY PACK®



## MACH. MOD. 45/N

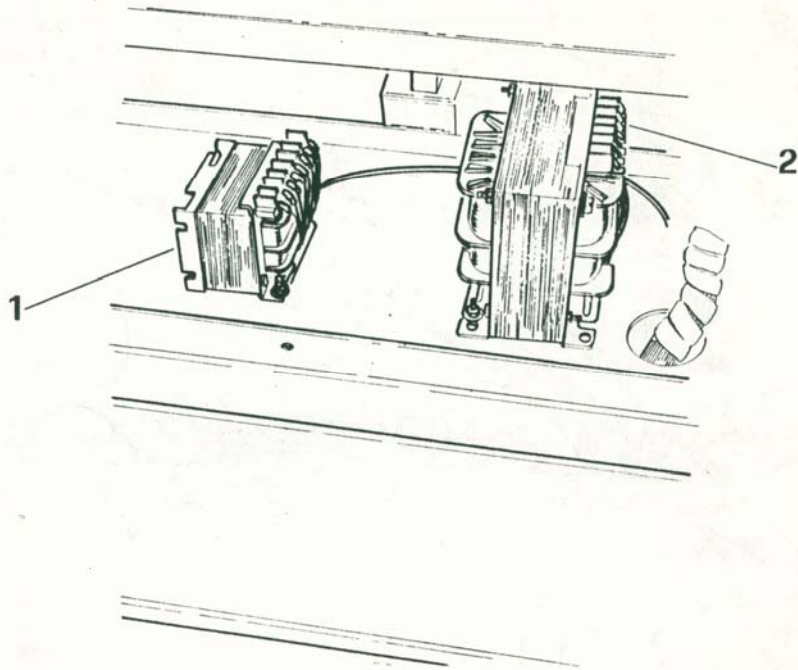
N°	CODE	DESCRIPTION
1	45.501	Film support bracket
2	45.502	Film separator bar
3	45.503	Loading tray
4	45.504	Film support bracket
5	45.505	Perforator bar
6	45.506	Collar
7	45.507	Collar perforator
9	45.509	Saker roller
10	45.510	Spiker guide roller
11	45.511	Film guide roller



### MACH. MOD. 45/N

N°	CODE	DESCRIPTION
1	45.001	Sealing frame
2	45.002	Sealing frame handle
3	45.003	Sealing frame support block
4	45.004	Top infill channel
5	45.005	Rubber infill
6	45.006	Teflon cover 30 m.
7	45.007	Magnet support bracket
8	45.008	Rubber washer
9	45.009	Magnet locating bracket
10	45.010	Magnet
11	45.011	Corner block
12	45.012	Sealing blade
13	45.013	Sealing blade infill set
14	45.014	Bottom infill channel
15	45.015	Sealing blade piston grip
16	45.016	Sealing blade piston
17	45.017	Sealing blade piston support
18	45.018	Sealing blade isolating collar
19	45.019	Sealing blade piston spring

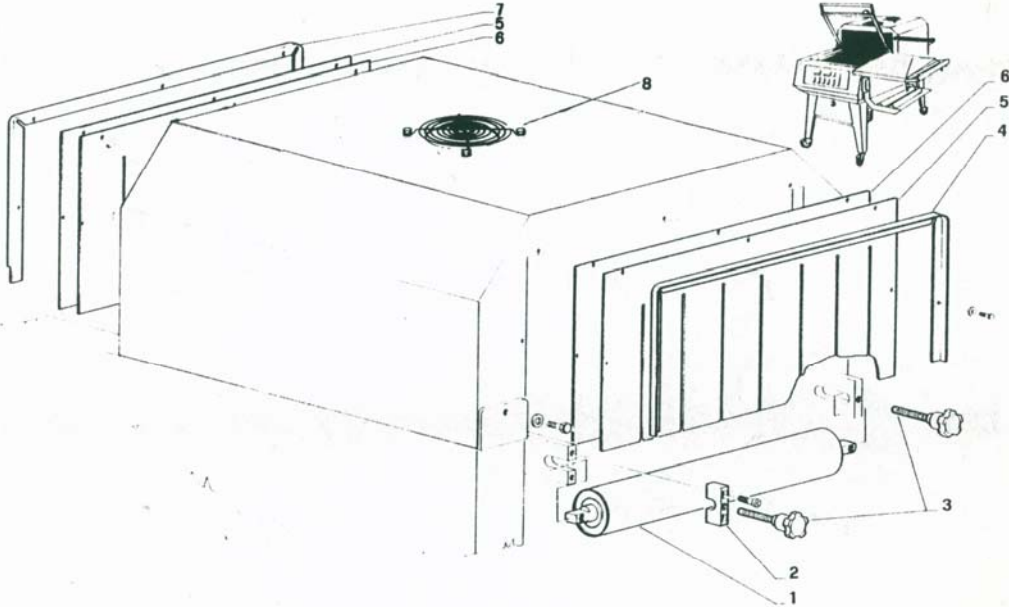
LADY PACK®



MACH. MOD. 45/N

N°	CODE	DESCRIPTION
1	45.R008	Transformator 75 VA
2	45.R012	Transformator 400 VA

LADY PACK®



MACH. MOD. 45/N

N°	CODE	DESCRIPTION
1	45.201	Roller ( rear)
2	45.202	Roller clamp
3	45.203	Roller adjuster screw
4	45.204	Curtain fixing bracket (rear)
5	45.205	Curtain outer set
6	45.206	Curtain inner
7	45.207	Curtain fixing bracket (front)
8	45.208	Heaters
9	35.209	Probe